

0.47mm thick GI Ridge sheet 60cm wide for ridge & Valley sheet 90cm wide (TATA Bluescope durashine)

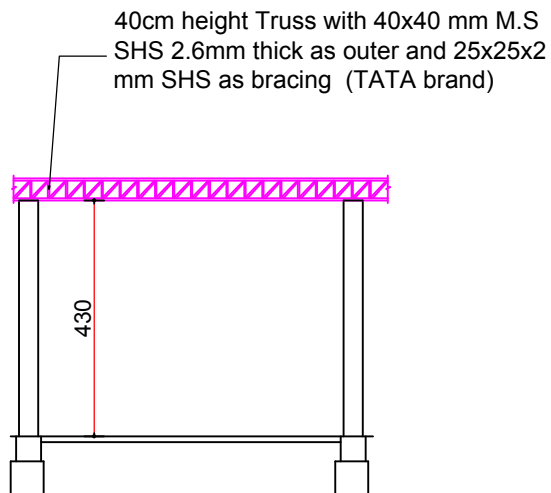
0.47mm thick GI sheet Trafford sheet ( TATA Bluescope durashine)

60x40 mm RHS 2.9mm thick (TATA brand) for purlins @75 cm c/c

8" UPVC Square Gutter with SS Net with necessary clamp @70cm c/c

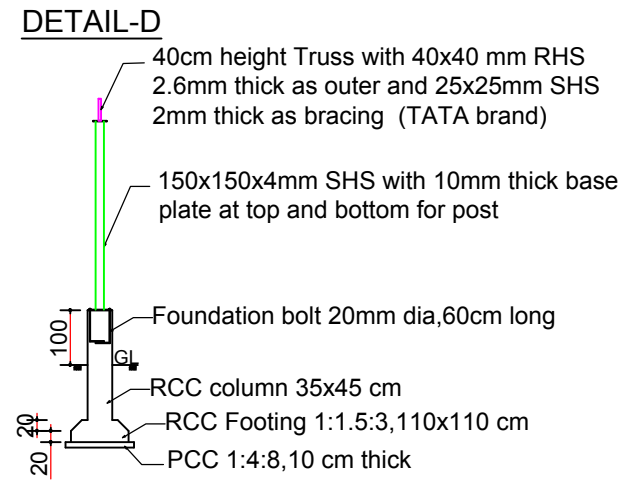
40cm height Truss with 40x40 mm M.S SHS 2.6mm thick as outer and 25x25x2 mm SHS as bracing (TATA brand)

**SECTION-BB**



40cm height Truss with 40x40 mm M.S SHS 2.6mm thick as outer and 25x25x2 mm SHS as bracing (TATA brand)

**DETAIL-C**



**DETAIL-D**

40cm height Truss with 40x40 mm RHS 2.6mm thick as outer and 25x25mm SHS 2mm thick as bracing (TATA brand)

150x150x4mm SHS with 10mm thick base plate at top and bottom for post



Foundation bolt 20mm dia,60cm long

RCC column 35x45 cm

RCC Footing 1:1.5:3,110x110 cm

PCC 1:4:8,10 cm thick

**Additional column details**

 ESTD : 1902	VAIDYARATNAM P. S. VARIER'S <b>ARYA VAIDYA SALA</b> KOTTAKKAL - 676 503, MALAPPURAM Dt., KERALA		
	PLANT/LOCATION/PROJECT <b>Kanjikode Factory</b>		TRD DRN CHD APPD REV. NO.
TITLE <b>Proposed GI sheet roof of Arishtam bottling plant at Kanjikode Factory</b>		SCALE 	08.01.2024 RATHEESH 08.01.2024
FLOOR AREA :		DRG. NO.	REF. DRG. NO. :